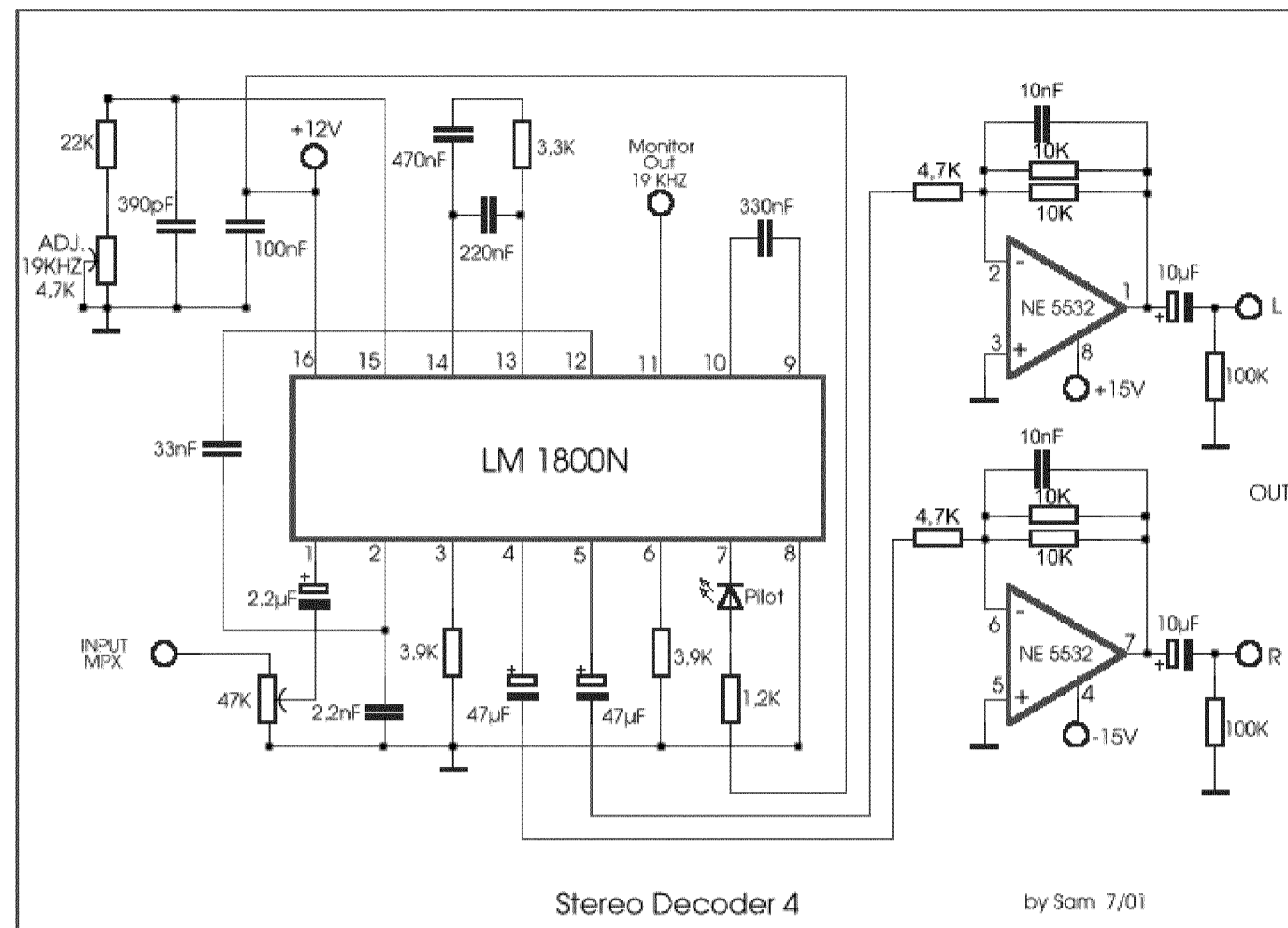


MPX Stereo Decoder 4 - LM1800N



Supply Voltage Ranges = +10V.....+18V

Supply Current with LED = 30 mA

Stereo Separation = 45 dB

T.H.D at 0,5Vrms-1KHZ = 0,4%

Input Resistance = 45 K Ω

Output Resistance = 1,3K Ω

SCA Rejection = 70 dB

LM1800N: See Database

[Decoder 1] [Decoder 2] [Decoder 3]

Sam Electronic Circuits 8/01

[Home] [My Database] [My Guestbook]